

DEPTH & LEVEL TRANSMITTER SDI-12 VERSALINE® VL3114

The PMC VersaLine® VL3114 features the SDI-12 protocol. RS485 (Modbus) is also available. These submersible transmitters are specifically designed for depth and level measurements of groundwater, wastewater, and sea water. Typical applications are wells, dams, irrigation, sewage lift stations, rivers and oceanography. The stainless steel housing will satisfy many applications. Titanium is also ideal in brackish or sea water, or other chemical environments unsuitable for stainless steel.

The standard polyurethane vented cable is molded to the transmitter providing the highest integrity waterproof assembly well proven in thousands of installations worldwide. Any cable length can be specified at the time of ordering. It should however be noted that when using SDI-12 protocol the cable length can be limited by the number of transmitters on the same line. For example the current SDI-12 specification states that - "the bus is capable of having at least 10 sensors present each with 200 feet of cable on each sensor".

We can also confirm that when a single transmitter is used cable lengths of up to 500ft are acceptable. For really long lengths up to 5000ft PMC recommends the VL4500 series with 4-20mA output.

TECHNICAL SPECIFICATIONS

Full Scale Ranges (Zero Based)	0-3, 10, 100 ft WC 0-2, 5, 10, 15, 30, 50, 100 psig 0-5, 10, 15, 30, 50, 100 psia <i>Other ranges and pressure units can be specified.</i>
Accuracy	Pressure: $\leq \pm 0.25\%$ FS (BSL) <i>Combined non-linearity, hysteresis & repeatability</i> Setting offsets - zero: $\leq \pm 0.25\%$ FS, span: $\leq \pm 0.06\%$ rdg. Temperature: $\leq \pm 0.8^\circ\text{F}$ (Resolution: $\leq \pm 0.02^\circ\text{F}$)
Overpressure	50% of FS range selected
Operating Temperature Range	15° to +140°F (-10° to +60°C) - non freezing
Compensated Temperature Range	30° to 105°F (-2° to +40°C)
Temperature Effects (Compensated)	$< 0.006\%$ /°F typical for both Zero and Span
Electrical	Supply: 6-36 VDC Current: $< 250\mu\text{A}$ when idle, $< 4\text{mA}$ when active Output: SDI-12 v1.4 or RS485 (Modbus)
Electrical safety	Internal lightning protection. Reverse polarity protection.
Cable	Polyurethane molded, vented with 4 conductors
Housing	316L Stainless Steel
Weight (excluding cable)	10.5 oz. (excluding cable)

PMC Engineering adopts a continuous development program which sometimes necessitates specification changes without notice



Process Measure Control

Features

- SDI-12 v1.4 Protocol
- $\leq \pm 0.25\%$ Accuracy
- 0-20" WC to 0-700 psi
- Level & Temp. Output
- Lightning Protection
- CE

Applications

- Small Bore Holes
- Water Level
- Waste Water
- Oceanography
- Ground Water

Contact

PMC Engineering LLC
11 Old Sugar Hollow
Rd Danbury, CT 06810
USA

Represented by:

U X Southwest
Phone: 800-284-3769
Email: sales@thermx.com
www.thermx.com

Your depth and level specialists for Ground, Surface, Sea and Waste Water

PMC Configurator

VL x x x x

Model Construction	1" Depth Cone	3
Housing Material	316L Stainless Steel (refer to PMC)	1
Electrical Connection	Polyurethane molded cable Cable length must be specified at the time of ordering.	1
Electrical Configuration	SDI-12	4
	RS485 (ModBus)	6

RELATED PRODUCTS

The VersaLine **VL4000** and **MTM3000** offer similar performance with 3/4" and 3/8" diameter housings respectively suitable for deeper or smaller well installations. The **VL2000** provides an open face construction avoiding clogging or sludge build up in wastewater and similar applications. PMC manufactures a wide range of other level transmitters including flush designs for use in water and wastewater management, food and beverage, pulp and paper, and pharmaceutical applications. Please refer to appropriate data sheets.

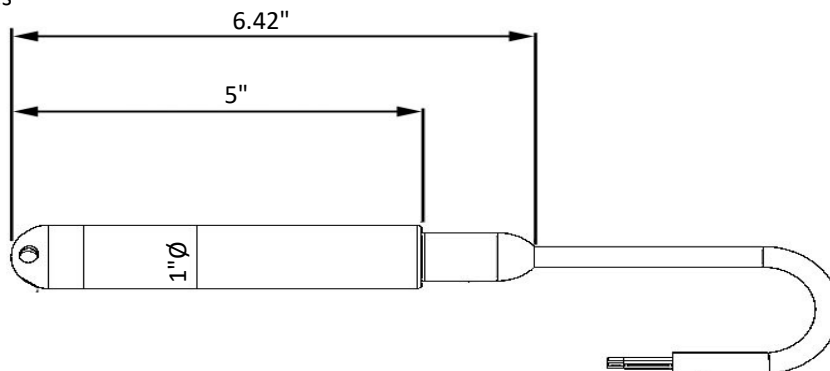
FOR ZERO MAINTENANCE



In order to reduce on site maintenance PMC has developed the MP 11 Moisture Protection Reference Volume. For vented gauge transmitters this provides a total isolation to the atmosphere by using a custom bladder while maintaining the high performance of the transmitter. This changes volume with Barometric pressure. Totally maintenance free. Please specify MP 11.

MECHANICAL DETAILS

Dimensions in inches



ELECTRICAL DETAILS

+V Supply	-V Supply	SDI-12 Output	Ground	Shield
Red	Blue	Yellow	White	Green

Process Measure Control

Sensors for

- Pressure
- Level
- Vacuum
- Humidity
- Temperature
- Force
- Position

Accessories

PMC offers a range of Accessories and variants for depth and level transmitters. Reference separate data sheet.

- Termination Enclosure
- Cable Hanger
- Moisture Protection
- Calibration Adaptor
- Sink Weights
- Level Meters

PMC is

- Engineering Driven
- Confidential
- Experienced
- Responsive
- Dynamic
- Friendly

Your depth and level specialists for Ground, Surface, Sea and Waste Water