

# OPEN FACE LEVEL TRANSMITTER FOR WASTEWATER VERSALINE® VL2000-SW SERIES



The PMC VersaLine® VL2000-SW Series submersible level transmitters are specifically designed for use in wastewater, pump/lift station applications. The ceramic capacitive sensing element provides a rugged open face design which avoids clogging or sludge build up from the materials often encountered in wastewater. The stainless steel construction will satisfy most applications, but an option of Titanium is available where the chemical environments dictate (see separate datasheet VL2000 for Titanium option). The Sink weight SW2000 was developed specifically for the VL2000 Series, and is replaceable. This provides a “cage” sink weight/anchor for transmitters installed on the bottom of wastewater or sewage lift tanks. Easy installation of sink-weight to be done by customer.

The standard polyurethane vented cable is molded to the transmitter providing the highest integrity waterproof assembly well proven in thousands of installations worldwide. FEP cable is available as an alternate for harsh environments. A feature of the VL2000 Series is full scale ranges as low as 10" WC.

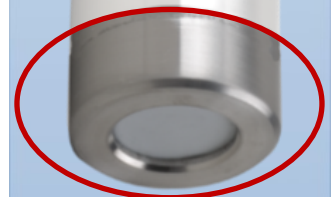
## Process Measure Control

### Features

- Open face, clog free
- 0.1%/0.25% accuracy
- 10" WC to 150 psi
- 316L SS
- 4-20mA, 2 wire
- CE

### Applications

- Sewage Lift
- Water Level
- Waste Water
- Oceanography
- Ground Water



## TECHNICAL SPECIFICATIONS

<b>Full Scale Ranges (Zero Based)</b>	0-10, 20, 30, 50" WC 0-1, 5, 10, 15, 30, 50, 100 psig <i>Other ranges and pressure units can be specified</i>
<b>Accuracy</b>	±0.1% FS (BSL) or ±0.25% FS (BSL) <i>Combined non-linearity, hysteresis &amp; repeatability</i>
<b>Overpressure</b>	For full scale ranges up to 20 psi - 10X Above 20 to 150 psi-4X
<b>Operating Temperature Range</b>	-10° to +175° F (-20° to +80° C)
<b>Compensated Temperature Range</b>	30° to 85° F (-2° to +30° C) - Standard 30° to 180° F (-2° to +80° C) - Optional*
<b>Temperature Effects (Compensated)</b>	High accuracy (±0.1) ±0.3% TEB for ranges 5 psi and above ±1.0% Standard accuracy (±0.2%) Standard accuracy (±0.25%) ±1.5% TEB for ranges 5 psi and above ±2.0% TEB for ranges below 5 psi <i>*±2.0% TEB for all ranges with extended temperature option</i>
<b>Electrical</b>	2-wire, 4-20 mA, 10-35 VDC power
<b>Intrinsically Safe Approvals</b>	Available with FM Intrinsically Safe Certification for use in Class I,II, and III, Division 1, Groups A,B,C,D,E,F, & G hazardous locations. <i>Note: FMC approval is included for Canadian requirements.</i>
<b>Cable</b>	Polyurethane molded, vented with Kevlar, 4 conductors <i>Contact factory for FEP cable</i>
<b>Housing</b>	316L Stainless Steel (See datasheet VL2000 for Titanium option)
<b>Weight (excluding cable)</b>	~5.4 lbs. (excluding cable)

### Contact

PMC Engineering LLC  
11 Old Sugar Hollow  
Rd Danbury, CT 06810  
USA  
Represented by:

ThermX Southwest  
Phone: 800-284-3769  
Email: sales@thermx.com  
www.thermx.com

PMC Engineering adopts a continuous development program which sometimes necessitates specification changes without notice

**Your depth and level specialists for Ground, Surface, Sea and Waste Water**

## PMC Configurator

	VL	x	x	x	x	SW
<b>Model Construction</b>	Open Face, Ceramic 1"		2			
<b>Housing Material</b>	316L Stainless Steel		1			
<b>Electrical Connection</b>	Polyurethane molded cable			1		
	FEP			2		
	Conduit backend - Stainless Steel			4		
	Cable length must be specified at the time of ordering.					
<b>Electrical Configuration</b>	4-20 mA				3	
<b>SW2000</b>	sink weight/anchor					SW

**Example Ordering Format: VL2113 - SW - 5psig - 0.25% - 20' cable**

## RELATED PRODUCTS

The VersaLine® Series **VL3000**, **VL4000** and **MTM3000** offer similar performance with packaging suitable for deep well level measurements as well as sanitary flush designs for use in water and wastewater management, food and beverage, pulp and paper, and pharmaceutical applications. Please refer to appropriate data sheets.

An extensive range of accessories is available including Cable Hangers, and a unique method of avoiding water ingress through the breather tube for vented gauge transmitters. Also offered are Calibration Adaptors, Lightning Protection, and Cable Termination Boxes. Please see separate data sheet VLA detailing these items.

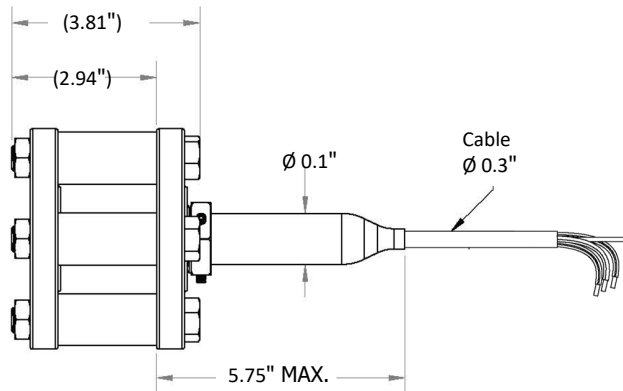
## FOR ZERO MAINTENANCE



In order to reduce on-site maintenance PMC has developed the **MP 11** Moisture Protection Reference Volume. For vented gauge transmitters this provides total isolation from the atmosphere by using a custom bladder, while maintaining the high performance of the transmitter. **Totally maintenance free.** Please specify MP 11.

## MECHANICAL DETAILS

Dimensions in inches



## ELECTRICAL DETAILS

Configuration	+V Supply	0V Supply	Ground
4-20mA	Red	Black	Green

## Process Measure Control

### Sensors for

- Pressure
- Level
- Vacuum
- Humidity
- Temperature
- Force
- Position

### Accessories

PMC offers a range of Accessories and variants for depth and level transmitters. Reference separate data sheet.

- Termination Enclosure
- Cable Hanger
- Moisture Protection
- Calibration Adaptor
- Sink Weights
- Level Meters

### PMC is

- Engineering Driven
- Confidential
- Experienced
- Responsive
- Dynamic
- Friendly

**Your depth and level specialists for Ground, Surface, Sea and Waste Water**