

IPAQ-H

Universal Programmable 2-wire Transmitters



IPAQ-HX



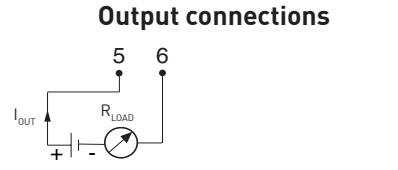
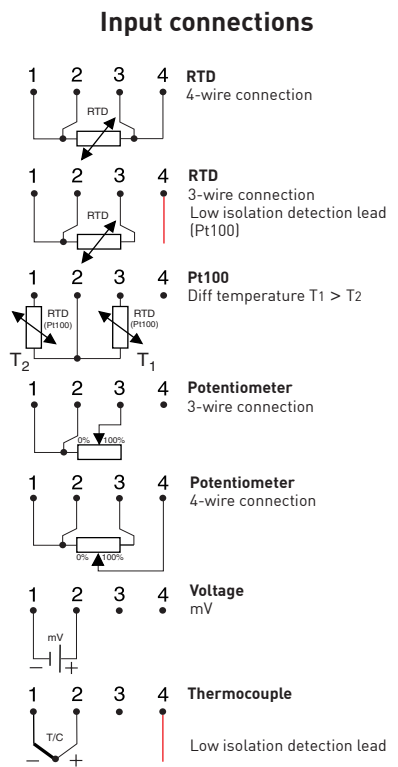
IPAQ-H/-HX are universal, isolated 2-wire transmitters for temperature and other measurement applications. They combine competitive pricing, functionality and simple configuration. Useful error correction functions improve the accuracy.

- Fully universal, linearized and high-isolation
- Accepts RTD, T/C, mV and Ω
- Sensor error and system (sensor/transmitter) error correction for highest total accuracy
- Full access to all features while in operation
- NAMUR compliant
- Consistent sensor break function
- Simplified loop check-up with calibration output
- Low sensor isolation detection
- IPRO, easy-to-use Windows configuration software

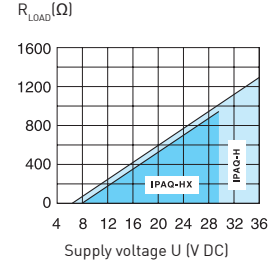
Specifications:

Input RTD		3-, 4-wire connection
Pt100 ($\alpha=0.00385$)		-200 to +1000 °C / -328 to +1832 °F
Pt1000 ($\alpha=0.00385$)		-200 to +200 °C / -328 to +392 °F
PtX $10 \leq X \leq 1000$ ($\alpha=0.00385$)		Upper range depending on X-value
Pt100 ($\alpha=0.003902$)		-200 to +1000 °C / -328 to +1832 °F
Pt100 ($\alpha=0.003916$)		-200 to +1000 °C / -328 to +1832 °F
Ni100 ¹⁾ , Ni120 ²⁾		-60 to +250 °C / -76 to +482 °F
Ni1000 ¹⁾		-100 to +150 °C / -148 to +302 °F
Cu10 ³⁾		-200 to +260 °C / -328 to +500 °F
Input Potentiometer / resistance		3-, 4-wire connection, 0 to 2000 Ω
Input Thermocouples		Types B, C, E, J, K, L, N, R, S, T, U
Input mV		-10 to +500 mV
Sensor failure / Low isolation		User definable output
Adjustments - Zero		Any value within range limits
Adjustments - Minimum spans		
Pt100, Pt1000, Ni100, Ni1000		10 °C / 18 °F
Potentiometer		10 Ω
T/C, mV		2 mV
Output		4-20 / 20-4 mA, temperature linear
Operating temperature		-40 to +85 °C / -40 to +185 °F
Galvanic isolation		1500 VAC, 1 min
Power supply	IPAQ-H	6.5 to 36 VDC
	IPAQ-HX	8 to 30 VDC
Intrinsic safety		
IPAQ-HX ATEX:		II 1 G Ex ia IIC T4-T6
IPAQ-HX FM:		IS Class I, DIV 1, GP A-D
IPAQ-HX CSA:		Class I, Groups A-D
Typical accuracy		± 0.1 % of span
Connection head		DIN B or larger

¹⁾ DIN 43760 ²⁾ Edison No. 7 ³⁾ Edison No. 15



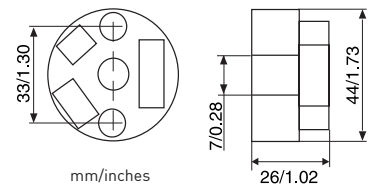
Output load diagram



$$R_{LOAD} = (U - 6.5) / 0.022 \text{ (IPAQ-H)}$$

$$R_{LOAD} = (U - 8) / 0.022 \text{ (IPAQ-HX)}$$

Dimensions



Ordering information

IPAQ-H	70IPH00001
IPAQ-HX (ATEX)	70IPHX0001
IPAQ-HX (FM, CSA)	70IPHX1001
PC Configuration Kit	70CFG00092
Configuration	70CAL00001

INOR IPAQ-H

Distributor - ThermX Southwest 7370 Opportunity Road, Suite S, San Diego, CA 92111-1414 (800) 284-3769 www.thermx.com

