

## West 2300 1/32 DIN Indicator & Controller



Red or Green Display  
Two process alarms  
Manual or Easy Tune  
Setpoint Lock  
On Control Indicator  
RS485 comms  
0.1% Accuracy



The West 2300 is available as an indicator or controller. Small size does not come at the expense of features, they have large 10mm high displays, 2 amp relays and full 3-wire PT100 inputs. The controller features our hands-free Easy Tune PID algorithm

### Specification

#### Features

Functions	Three term PID controller, indicator with alarms or indicator only versions available
Control Types	Controller versions have PID with Easy-tune, manual tuning plus pre-tune or On-Off control
Setpoint Lock	Limits operator access to the controller setpoint value
Output Configuration	Up to 3 Total. Max 1 for control, max 2 for Alarms
Alarm 1 & 2 Types	Process high, process low, setpoint deviation and band
Human Interface	3 button operation, 4 digit 10mm high LED display (available in either red or green), plus on-control, set-up, alarm and setpoint indicators

#### Input

Thermocouple	J, K, R, S, T, B, & N
RTD	3 Wire PT100, 50 per lead maximum (balanced)
DC Linear	0-20mA, 4-20mA, 0-50mV, 10-50mV. Scaleable -1999 to 9999, decimal point as required
Impedance	>10M for Thermocouple and mV ranges, 4.7 for mA ranges
Accuracy	+/- 0.1% of input span (0.25% for J & T T/C) +/- 1 LSD (T/C CJC better than 0.7°C)
Sampling	4 per second, 14 bit resolution approximately
Sensor Break Detection	<2 seconds (except on 0-20mA range), control O/P's turn off, high alarms activate for T/C and mV ranges, low alarms activate for RTD, mA ranges

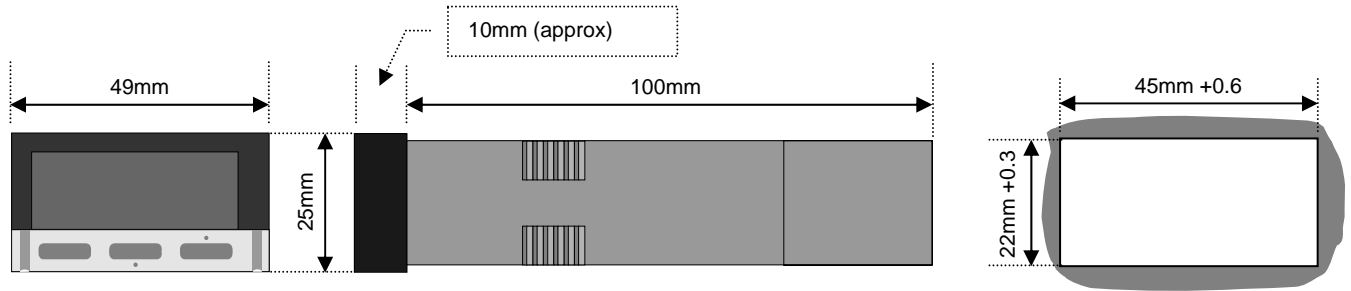
#### Outputs & Options

Control & Alarm Relays	Contacts SPDT 2Amp resistive at 240V AC, >500,000 operations (if comms or 2 <sup>nd</sup> relay is fitted, all relay contacts become SPST)
Control SSR Outputs	Drive capability >10V DC into 500 minimum
Communications	2 Wire RS485, 1200 to 9600 Baud, Modbus

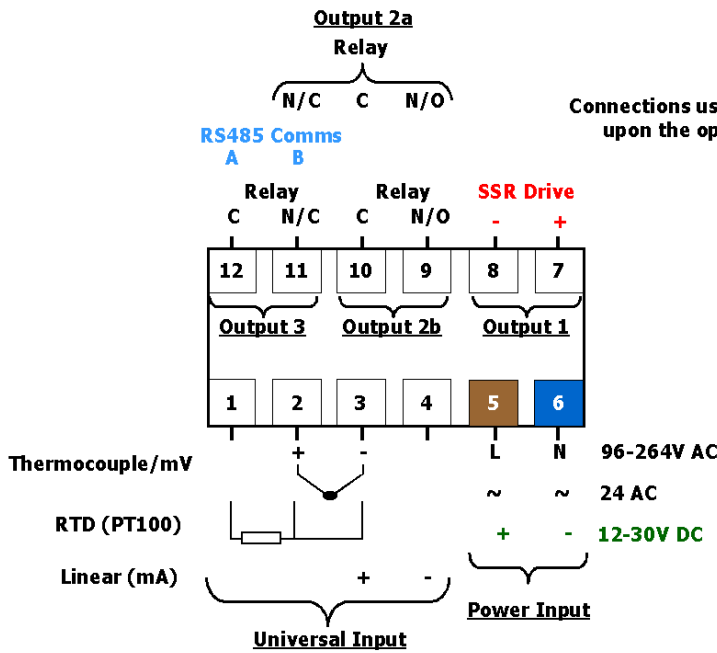
#### Operating & Environmental

Temperature & RH	0 to 55°C (-20 to 80°C storage), 20% to 95%RH non-condensing
Power Supply	100 to 240V 50/60Hz 7.5VA (optional 12 to 24V AC 7.5VA /12 to 30V DC 4W)
Front Panel Protection	IEC IP66 (Behind panel protection is IP20)
Approvals and Certification	CE, UL & ULc

## Dimensions



## Connection Details



### Field Reconfiguration

Hardware options cannot be retro-fitted to this model. Some re-configuration of existing features is possible

### Input

Configurable to any available type.

No extra parts require

### Control/Alarm 1 Output

Re-configurable on controller version only, as relay control with SSR alarm 1, or SSR control with relay alarm 1.

No extra parts required

### Other Options

RS485 comms or alarm 2 relay is only available at time of order.

No field re-configuration is possible

## Ordering Code

**N2300** - **xx** - **x** - **x**

### Output Type

Indicator Only	00
Indicator + Alarm 1 (Relay)	01
Indicator + Alarm 1 (SSR)	02
Controller (Relay) + Alarm 1 (SSR)	12
Controller (SSR) + Alarm 1 (Relay)	21

### Display Colour & Power Supply

0	Green Display/100-240V AC supply
1	Red Display/100-240V AC supply
2	Green Display/12-30VDC/24VAC supply
3	Red Display/12-30VDC/24VAC supply

### Option

0	No Option Fitted
1	Alarm 2 Relay Output
2	RS485 Comms

**West Control Solutions – International Sales and Support**

**CHINA**

Danaher Setra-ICG (Tianjin Co., Ltd.  
No.28 Wei 5 Road,  
The Micro-Electronic Industry Park TEDA,  
Xiqing District, Tianjin 300385  
Tel: +86 22 8398 8098 Fax: +86 22 8398 8099  
Sales Hotline: 400 666 1802  
e-mail: tc.sales@danaher.com

**GERMANY**

PMA Prozeß- und, Maschinen- Automation GmbH,  
Miramstraße 8, 7D -34123 Kassel  
Tel: +49 (561) 505-1307 Fax: +49 (561) 505-1710  
e-mail: mailbox@pma-online.de

**USA**

West Control Solutions  
1675 Delany Road, Gurnee, IL  
60031-1282

**FRANCE**

Hengstler SA, 69 Rue de la Belle Etoile  
Bat D - ZI Paris Nord II, 95700, Roissy  
Tel: +33 (1) 77 80 90 40 Fax:+33 (1) 77 80 90 50  
e-mail: info@westinstruments.com

**UNITED KINGDOM**

West Control Solutions  
The Hyde Business Park, Brighton, East Sussex, BN2 4JU  
Tel: +44 (0)1273 606271 Fax: +44 (0)1273 609990  
e-mail: info@westinstruments.com

West N2300

Distributor

ThermX Southwest

7370 Opportunity Rd., Suite S  
San Diego, CA 92111

(800) 284-3769      [www.thermx.com](http://www.thermx.com)

Specifications are subject to change without notice, as a result of continual development and improvement, E&OE

