

Pressure Transmitter for High Pressure Applications up to 15,000 bar Type HP-2

Datasheet HP-2

Applications

- Test benches
- Water jet cutting
- High pressure pasteurisation
- High pressure cleaning

Special Features

- Pressure ranges up to 15,000 bar
- Accuracy 0.5 %
- Output: 4 ... 20 mA, 0 ... 10 V, etc.
- Electrical connection: DIN 175301-803 A L-connector, M12x1 circular connector, flying leads, etc.
- Pressure connections: M16x1.5 female, M20 x1.5 female, 9/16-18 UNF female F250-C



Pressure transmitter HP-2

Description

The pressure transducer HP-2 is designed for superior high pressure applications up to 15,000 bar.

HP-2 provides a very high long-term stability and a very good accuracy.



Due to its excellent life cycle behaviour HP-2 offers an extra long service life also for dynamic pressure curves.

The optional cavitation and peak pressure protection has been developed especially for highly dynamic pressure curves. It provides an extended operating time even in demanding applications.

Specifications

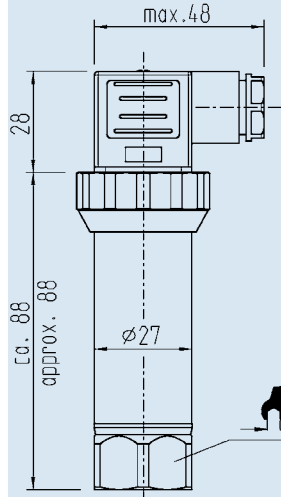
Type HP-2

Pressure ranges	bar	1,600	2,500	4,000	5,000	6,000	7,000	8,000	10,000
Over pressure safety	bar	2,300	3,500	5,000	6,000	7,000	8,000	10,000	11,000
Burst pressure	bar	4,000	6,000	8,000	10,000	11,000	11,000	12,000	12,000
Pressure ranges	psi	23,000	36,000	58,000	72,000	87,000	100,000	115,000	145,000
Over pressure safety	psi	33,300	50,500	72,500	87,000	101,500	116,000	145,000	159,500
Burst pressure	psi	58,000	87,000	116,000	145,000	159,500	159,500	174,000	174,000
Up to 15,000 bar / 217,000 psi on request.									
Materials									
■ Wetted parts	1.4534								
■ Case	Stainless steel								
Power supply UB	UB in VDC	10 ... 30 (14 ... 30 with signal output 0 ... 10 V)							
Signal output and maximum resistive load RA	RA in Ohm	4 ... 20 mA, 2-wire				RA ≤ (UB – 10 V) / 0.02 A			
		0 ... 5 V, 3-wire				RA > 5 k			
		0 ... 10 V, 3-wire				RA > 10 k			
		Other signal outputs on request.							
Adjustability zero	%	± 5 using potentiometers inside the instrument							
Response time (10 ... 90 %)	ms	≤ 1							
Insulation voltage	VDC	500							
Accuracy	% of span	≤ ± 0.5 *)							
	% of span	≤ ± 0.25 *) on request							
*) Including non-linearity, hysteresis, zero point and full scale error (corresponds to error of measurement per IEC 61298-2).									
1-year stability	% of span	≤ 0.1 (at reference conditions)							
Permissible temperature of									
■ Medium **)		0 ... +80 °C		+32 ... +176 °F					
■ Ambience **)		-20 ... +80 °C		-4 ... +176 °F					
■ Storage **)		-40 ... +85 °C		-40 ... +185 °F					
**) Also complies with EN 50178, Tab. 7, Operation (C) 4K4H, Storage (D) 1K4, Transport (E) 2K3									
Rated temperature range		0 ... +80 °C		+32 ... +176 °F					
Temperature error within rated temperature range	%	≤ 1.0 typ. ≤ 2.5 max.							
RoHS-conformity		on request							
CE-conformity									
■ Pressure equipment directive		97/23/EC							
■ EMC directive		2004/108/EC, EN 61 326 Emission (Group 1, Class B) and Immunity (industrial locations)							
Shock resistance	g	100 (2.4 ms)		according to IEC 60068-2-27					
Vibration resistance	mm	0.35 (10 ... 55 Hz)		according to IEC 60068-2-6					
Wiring protection									
■ Short-circuit resistance		Sig+ towards UB-							
■ Reverse polarity protection		UB+ towards UB-							
Weight	kg	Approx. 0.3							

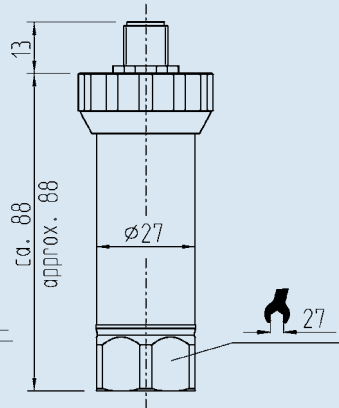
	L-connector DIN 175301-803 A	Circular connector M12x1	Cable
			
2-wire	UB = 1 OV = 2	UB = 1 OV = 3	UB = brown OV = green
Wire gauge	up to max. 1.5 mm ²		0.5 mm ² (AWG 20)
Ingress protection per IEC 60 529	IP 65	IP 67	IP 67

Dimensions in mm

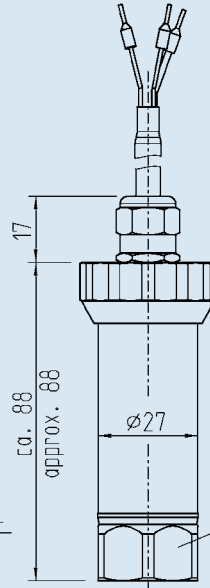
L-connector
DIN 175301-803 A
Order Code: A4



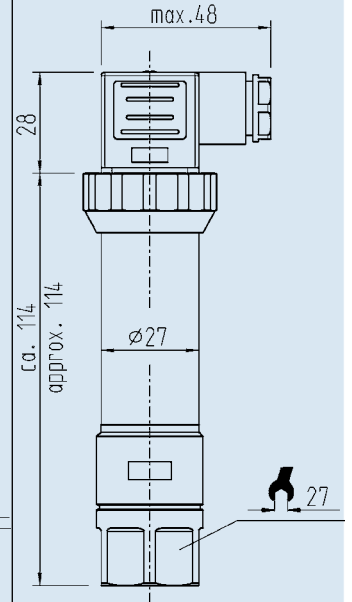
Circular connector M 12x1,
4-pin
Order Code: M4



Flying leads
with 1.5 m length (PUR)
Order Code: DL

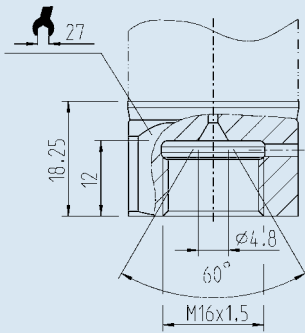


with optional
cavitation and peak pressure
protection

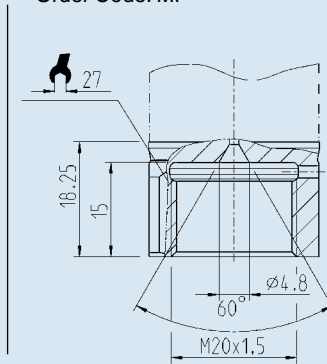


Pressure connections

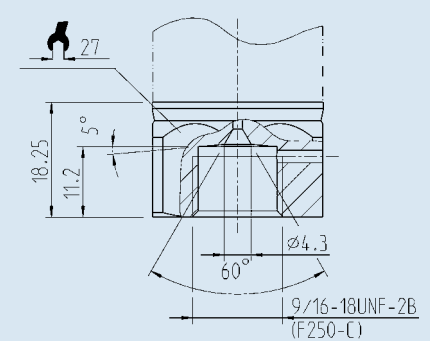
M16x1.5 female,
with sealing cone
(up to 7000 bar) *)
Order Code: ML



M20x1.5 female,
with sealing cone *)
Order Code: MP



9/16-18 UNF female,
F250-C
(up to 7000 bar) *)
Order Code: VZ



For installation and safety instructions see the operating instructions for this product.

The respective values for your mounting torque and maximum pressure please find in the documentation of your high-pressure equipment supplier.

*) The respective values for your mounting position please find in the documentation of your high-pressure equipment supplier.

Specifications and dimensions given in this data sheet represent the state of engineering at the time of printing. Modifications may take place and materials specified may be replaced by others without prior notice.